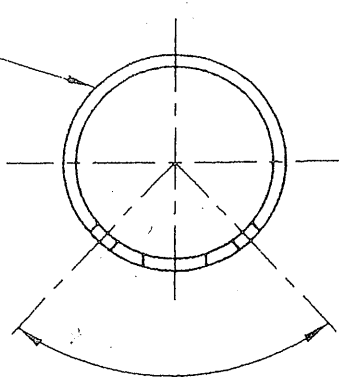


4 1/2" DIA. POLE

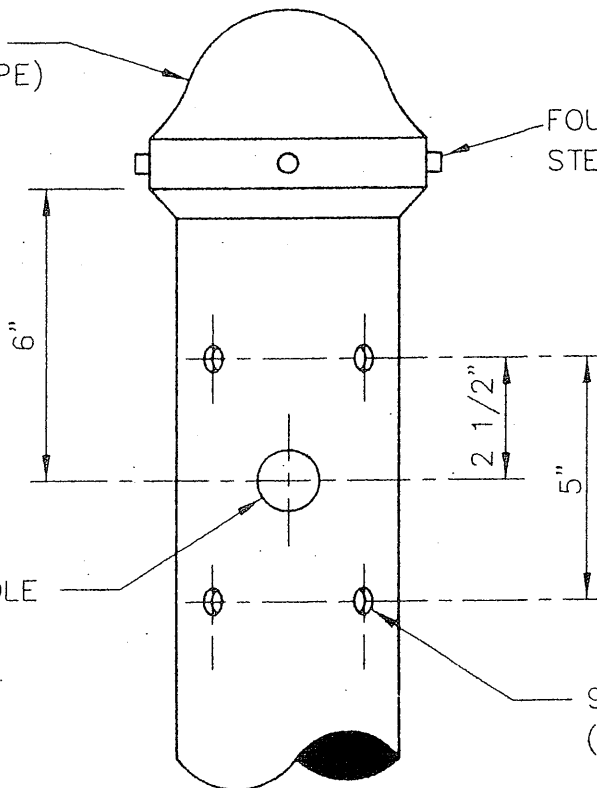


TOP VIEW

3 3/8" ARC @ 86°

POLE CAP
(DOME TYPE)

FOUR 1/4" - 20 STAINLESS
STEEL HEX HEAD BOLTS



1 1/4" DIA. HOLE

9/16" DIA. HOLES
(TYPICAL OF 4)

LUMINAIRE ARM CONNECTION

BOLT CIRCLE IS 7.0"

ITEM	STOCK NO	QUANTITY	DESCRIPTION
1	10610002	1	STANDARD, ALUMINUM, 30' w/8' ARM
2	10610008	1	STANDARD, ALUMINUM, 40' w/8' ARM
3	10610003	1	STANDARD, ALUMINUM, 30' w/2-8' ARMS
4	10610023	1	STANDARD, ALUMINUM, 40' w/2-8' ARMS

**LAFAYETTE
UTILITIES SYSTEM**

ENGINEERING DIVISION

POLE CAP &
LUMINAIRE ARM CONNECTION

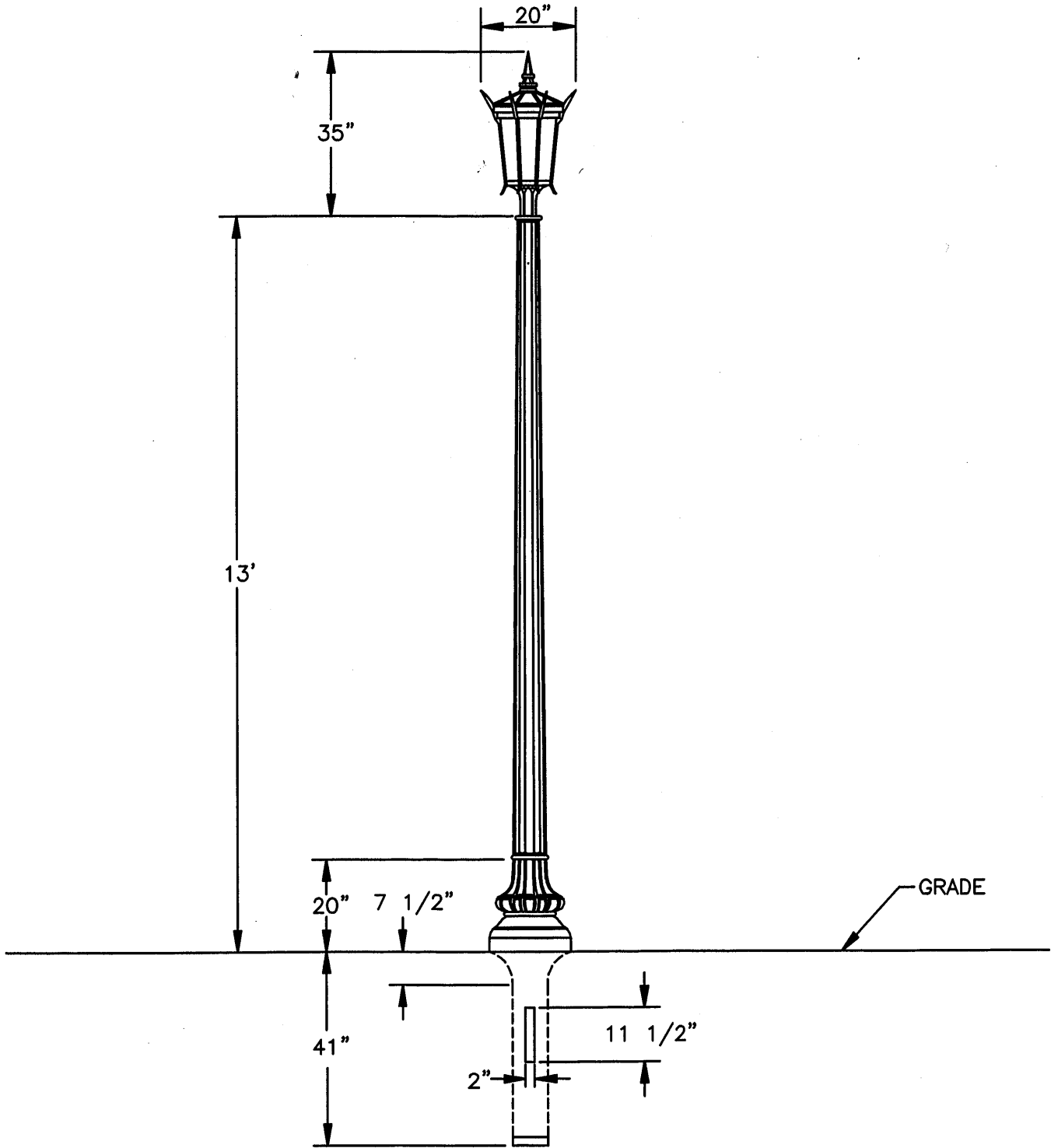
DWG. NO.

SLA-1(B)

DATE: MAY 26, 1990

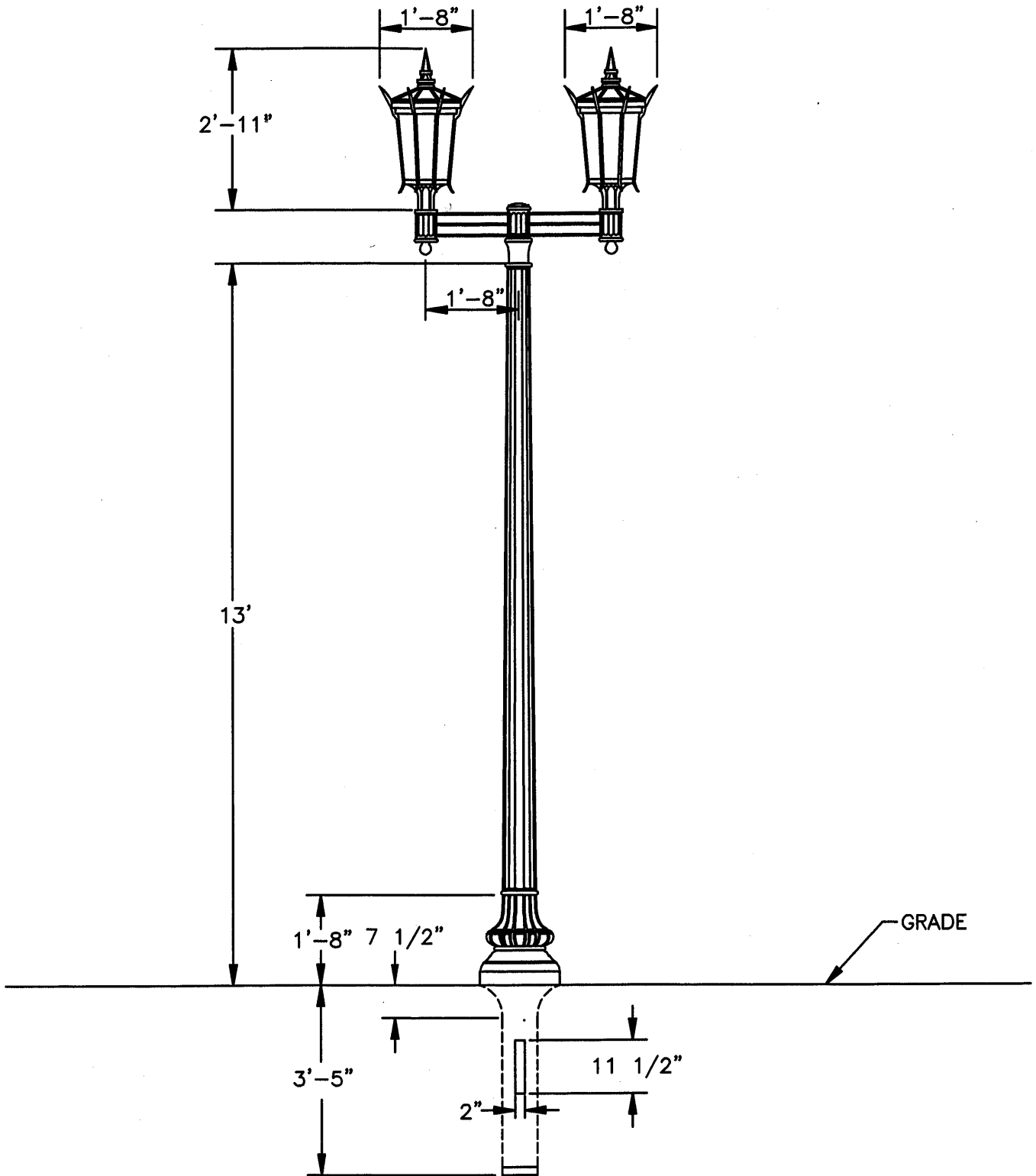
APPROVED:

010-60



ITEM	STOCK NO	QUANTITY	DESCRIPTION
1	10610102	1	POLE
2	10610101	1	LUMINAIRE, 150W, 240V, H.P. SODIUM

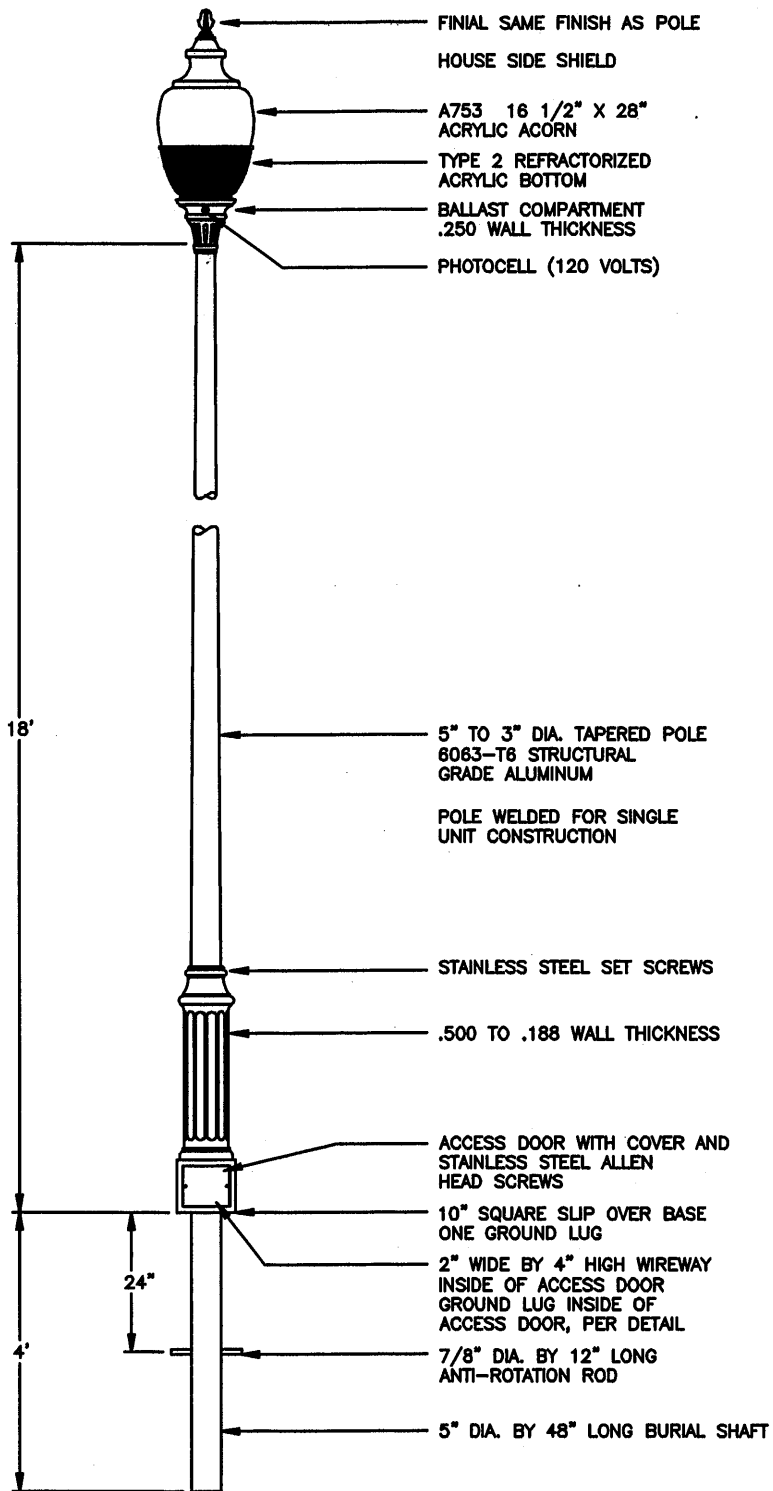
LAFAYETTE UTILITIES SYSTEM ENGINEERING DIVISION	STREET LIGHT STANDARD, FIBERGLASS 14' MOUNTING HEIGHT	DWG. NO. SLD-15F
DATE: FEB. 1, 1993 REVISION: OCT. 27, 2005	APPROVED:	



ITEM	STOCK NO	QUANTITY	DESCRIPTION
1	10610102	1	STANDARD, DECORATIVE, D.B., 14'
2	10610101	2	LUMINAIRE, DECORATIVE, 150W, H.P. SODIUM
3	10610104	1	BRACKET, DOUBLE, DECORATIVE

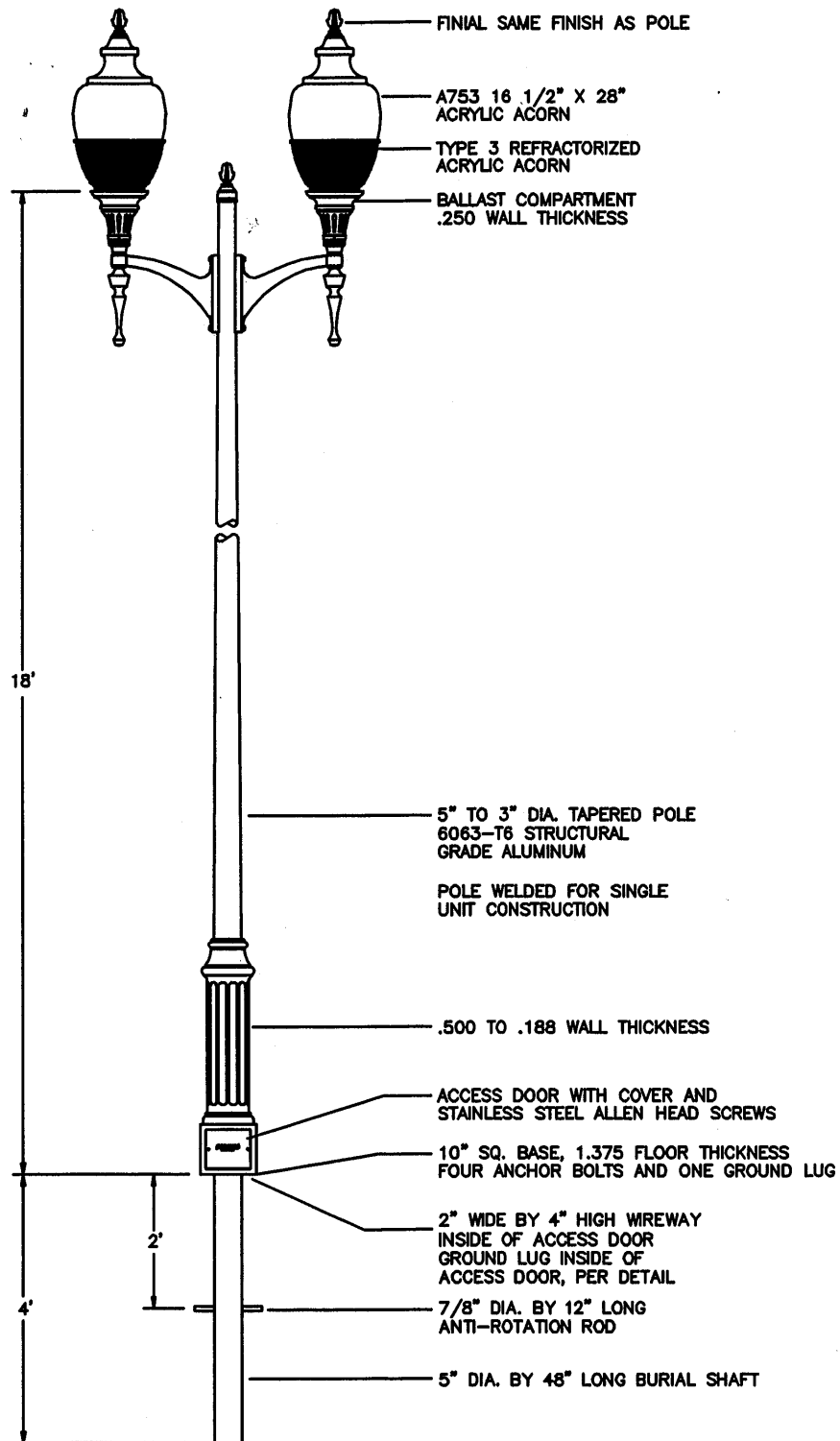
LAFAYETTE UTILITIES SYSTEM ENGINEERING DIVISION	DECORATIVE STANDARD & DOUBLE LUMINAIRE, FIBERGLASS 15' MOUNTING HEIGHT TENON TOP	DWG. NO. SLD-15FD
		DATE: FEBRUARY 1, 1993 REVISION: OCTOBER 27, 2005

APPROVED:



ITEM	STOCK NO	QUANTITY	DESCRIPTION
1	10610108	1	STANDARD DECORATIVE (II), D.B., 18'
2	10610109	1	LUMINAIRE, DECORATIVE (II), 150W, H.P. SODIUM

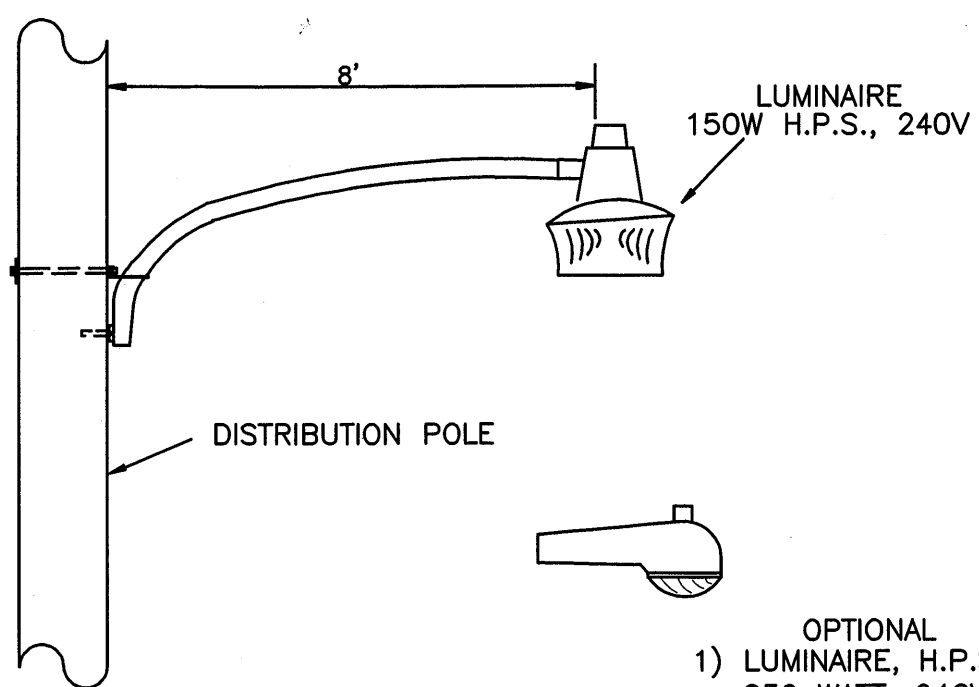
LAFAYETTE UTILITIES SYSTEM ENGINEERING DIVISION	DECORATIVE STANDARD & DOUBLE LUMINAIRE, FIBERGLASS, 15' MOUNTING HEIGHT, TENON TOP	DWG. NO. SLP-RR1
	DATE: NOVEMBER 19, 2002 REVISION: MARCH 12, 2003	APPROVED:



ITEM	STOCK NO	QUANTITY	DESCRIPTION
1	10610109	2	LUMINAIRE, DECORATIVE, (II), 150 WATT H.P.S.
2	10610112	1	STANDARD, DECORATIVE (II), D.B., 18', TWIN LUMINAIRE
3	10610113	2	BRACKET, DOUBLE, DECORATIVE (II)

LAFAYETTE UTILITIES SYSTEM ENGINEERING DIVISION	DECORATIVE STANDARD & DOUBLE LUMINAIRE, FIBERGLASS, 15' MOUNTING HEIGHT, TENON TOP	DWG. NO. SLP-RR2
		DATE: NOVEMBER 19, 2002 REVISION: MARCH 26, 2003

APPROVED:



- OPTIONAL
- 1) LUMINAIRE, H.P.S., 250 WATT, 240V
 - 2) LUMINAIRE, H.P.S., 400 WATT, 240V

ITEM	STOCK NO.	QUANTITY	DESCRIPTION
1	10608003	1	BRACKET, STREET, 6', WOOD POLE
2	10609102	1	LUMINAIRE, HPS, 150 WATT, 240V
3	10605010	1	PHOTOCELL, 1000 WATT
*	10609004	1	LUMINAIRE, HPS, 250 WATT, 240V
*	10610009	1	LUMINAIRE, HPS, 400 WATT, 240V
			* OPTIONAL

**LAFAYETTE
UTILITIES SYSTEM**

ENGINEERING DIVISION

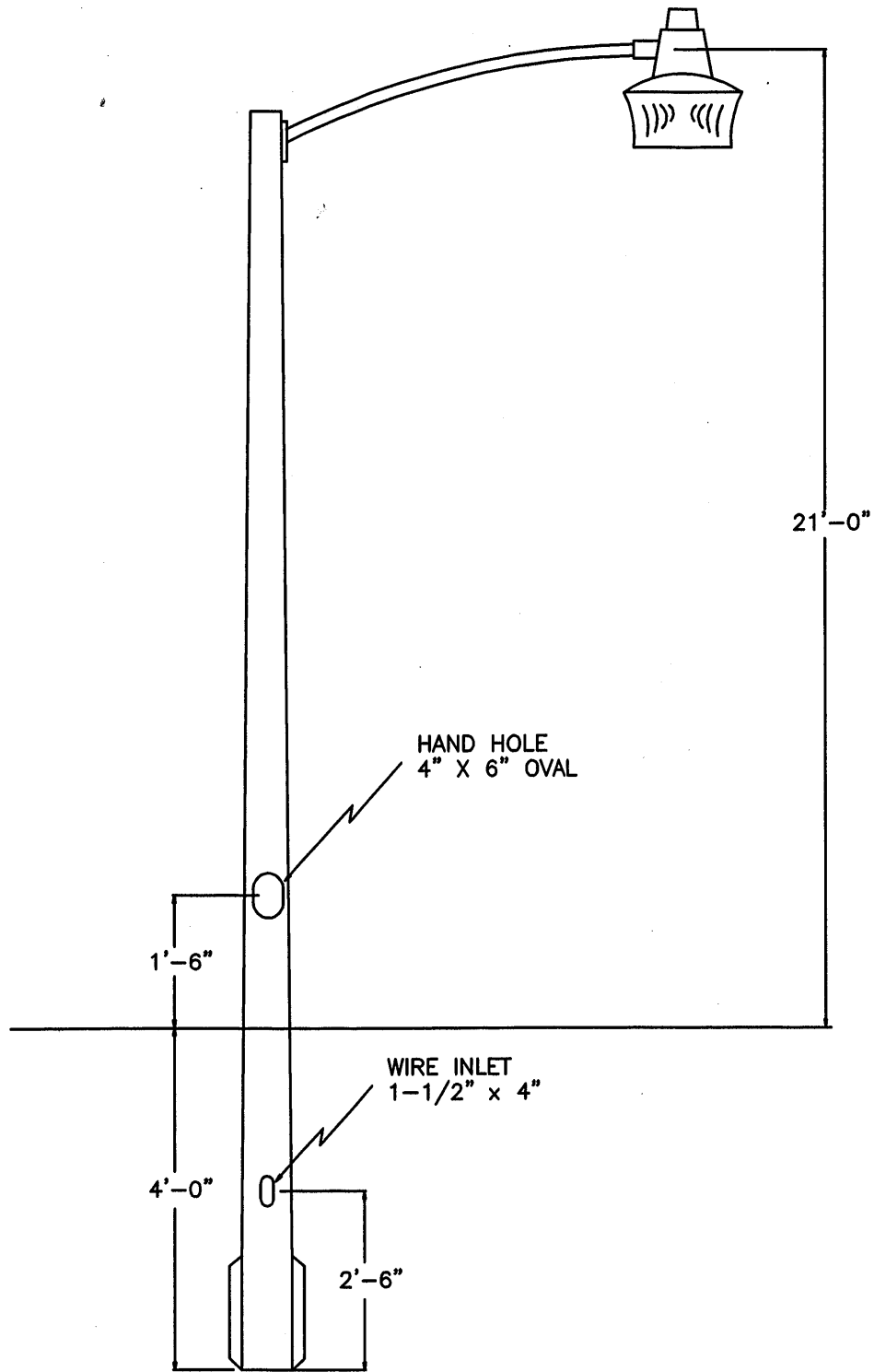
DATE: APRIL 1, 2003
REVISION:

APPROVED:

TYPICAL DISTRIBUTION POLEMOUNT,
LUMINAIRE AND 8' BRACKET

DWG. NO.

DPSL-8



ITEM	STOCK NO	QUANTITY	DESCRIPTION
------	----------	----------	-------------

1	10610012	1	STANDARD, FIBERGLASS, 21', D.B.
2	10608016	1	BRACKET, STREET LIGHT, 6', AL OR FBGL POLE
3	10609102	1	LUMINAIRE, 150 WATT, 240V, H.P.S.
4	10605010	1	PHOTCELL, 1000 WATT

**LAFAYETTE
UTILITIES SYSTEM**

ENGINEERING DIVISION

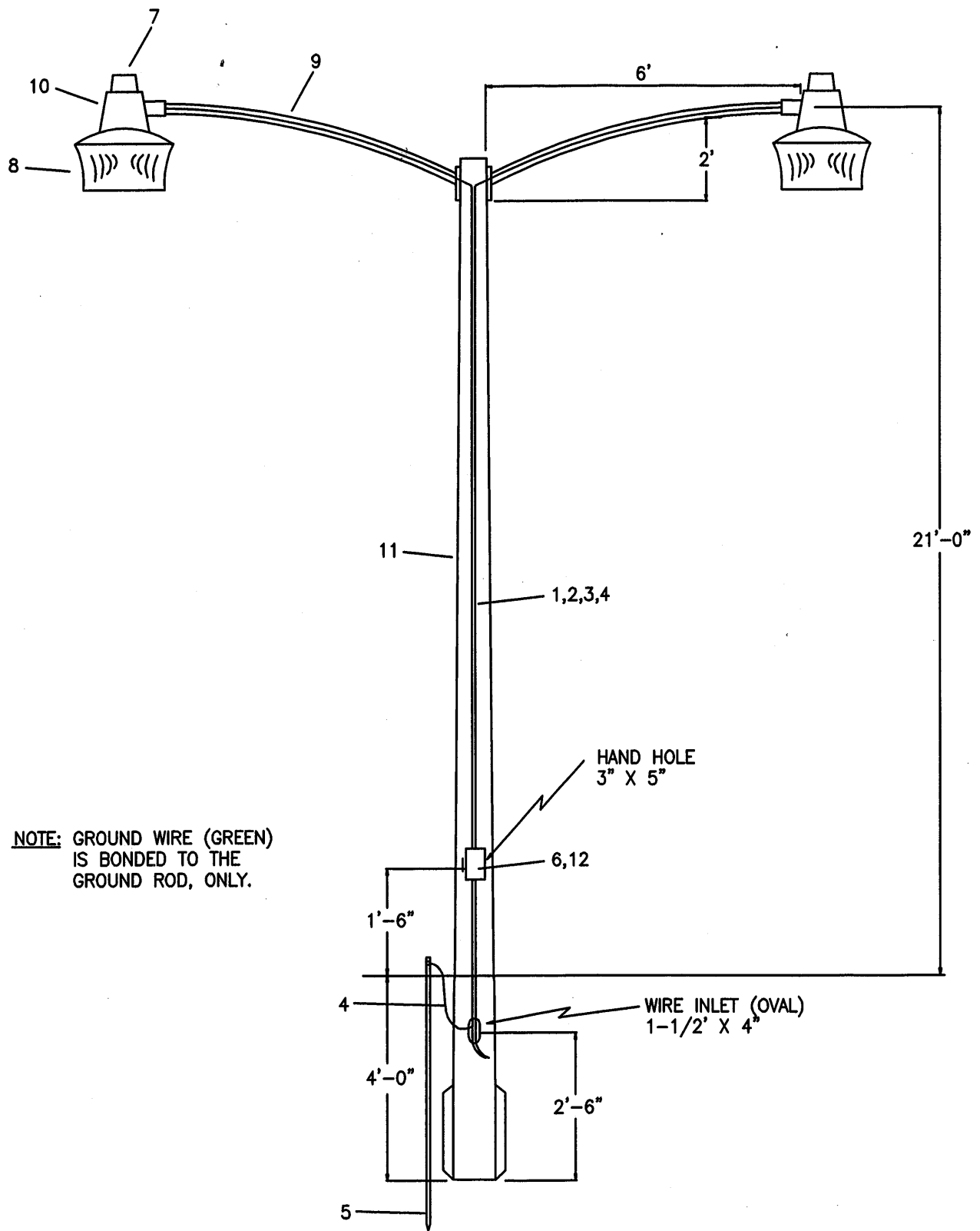
STREET LIGHT
STANDARD, FIBERGLASS
21' MOUNTING HEIGHT

DWG. NO.

SLP-21F

DATE: APRIL 1, 2003
REVISION:

APPROVED:



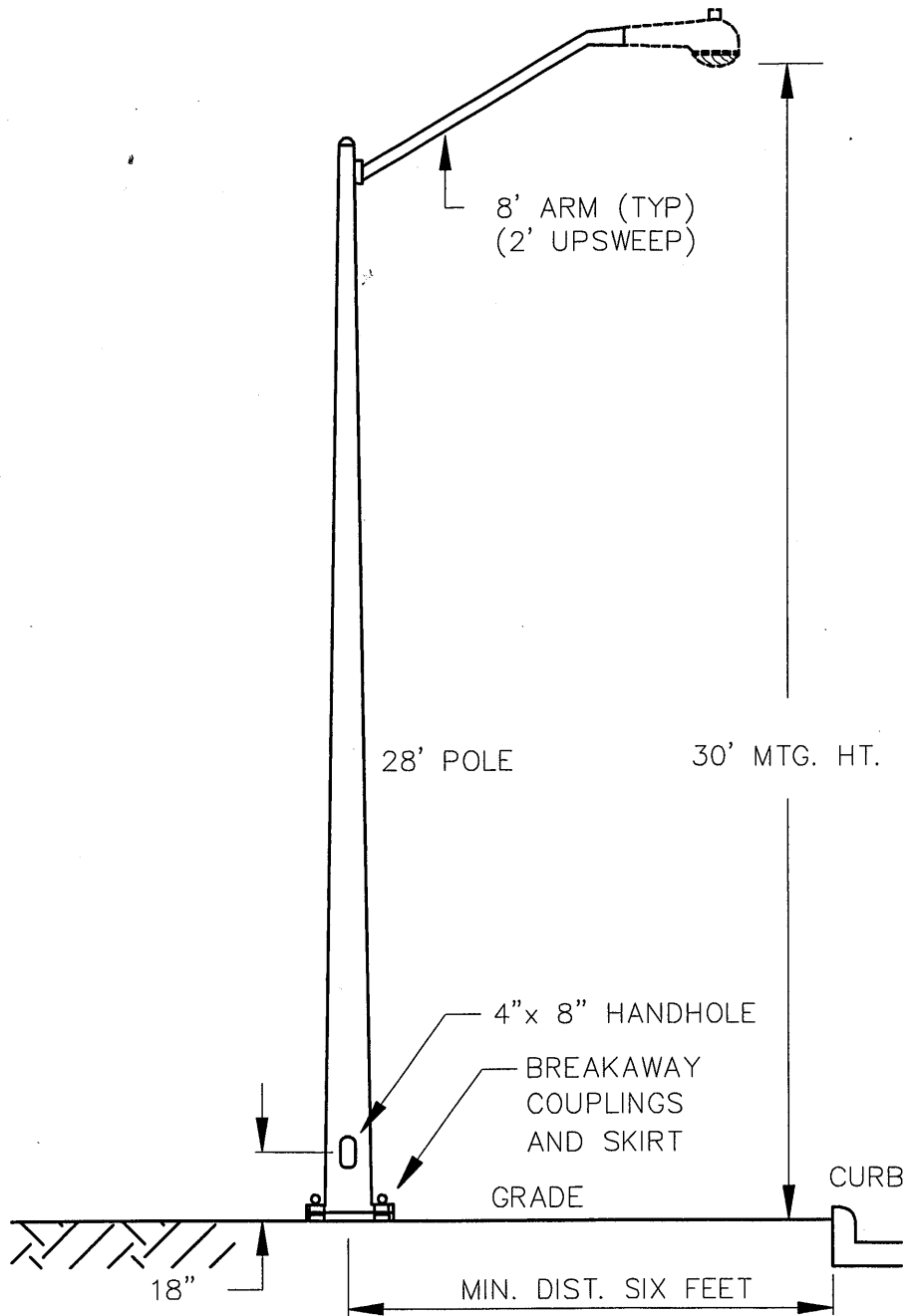
LAFAYETTE
 UTILITIES SYSTEM
 ENGINEERING DIVISION

STREET LIGHT DOUBLE
 STANDARD, FIBERGLASS
 21' MOUNTING HEIGHT

DWG. NO.
 SLP-21FD
 150
 (PAGE 1 OF 2)

DATE: APRIL 1, 2003
 REVISION: APRIL 19, 2004

APPROVED:



ITEM	STOCK NO	QUANTITY	DESCRIPTION
1	10610002	1	STANDARD, ALUMINUM, 30' w/8' ARM
*	10607005	1	LAMP, H. P. SODIUM, 400 WATT
*	10607003	1	LAMP, H. P. SODIUM, 250 WATT
*	10605010	1	PHOTOCELL, 1000 WATT
*	10610009	1	LUMINAIRE, HPS, 400 WATT, 240V
*	10609004	1	LUMINAIRE, HPS, 250 WATT, 240V
			* REFER TO DWG. SLL-30-1

**LAFAYETTE
UTILITIES SYSTEM**

ENGINEERING DIVISION

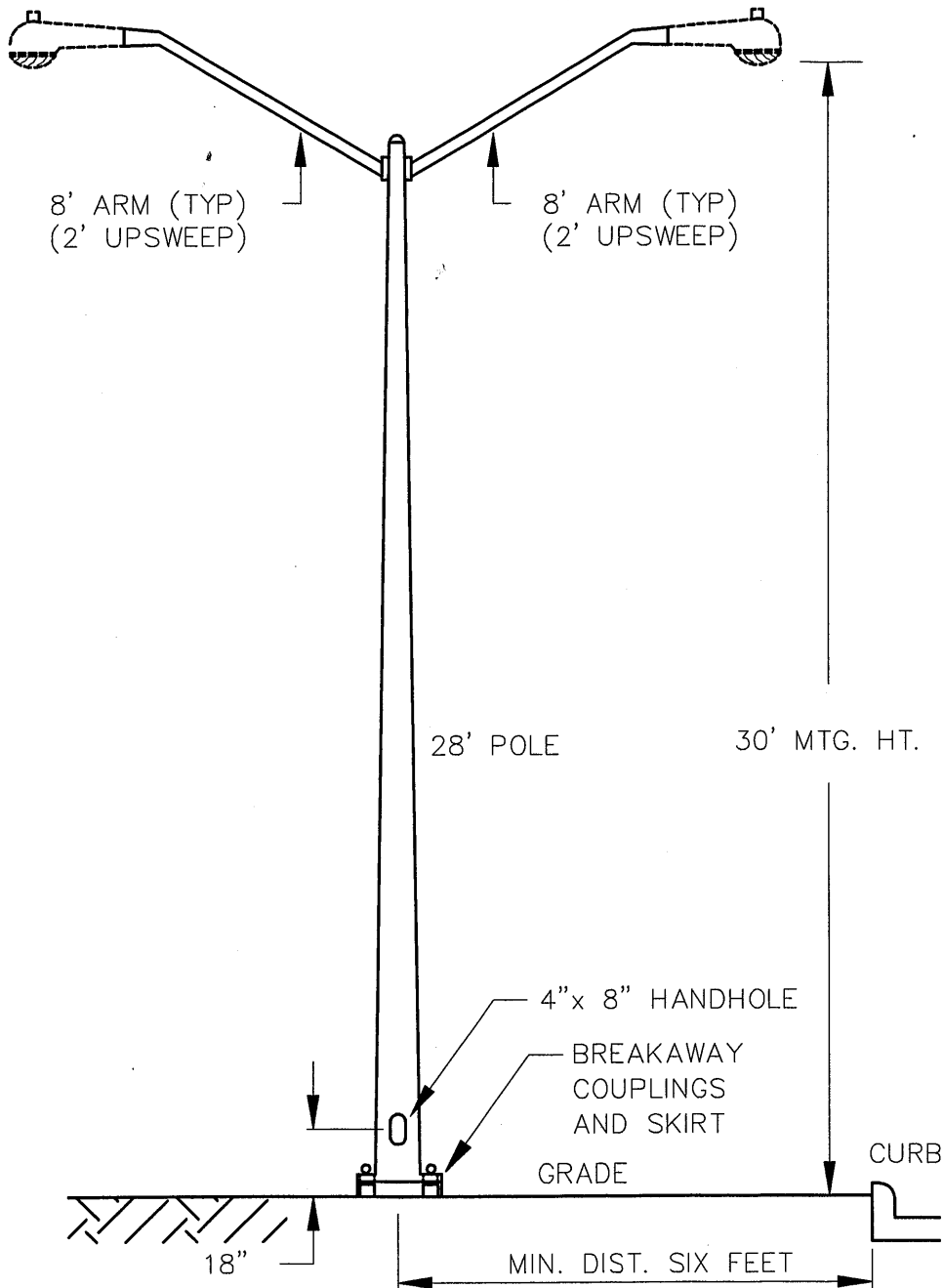
DATE: 11/13/02

APPROVED:

TYPICAL 30FT AL STANDARD
W/8' ARM

DWG. NO.

SLA30-1-8



ITEM	STOCK NO	QUANTITY	DESCRIPTION
1	10610003	1	STANDARD, ALUMINUM, 30' w/2-8' ARMS
*	10607005	2	LAMP, SODIUM, 400 WATT
*	10607003	2	LAMP, SODIUM, 250 WATT
*	10605010	2	PHOTOCELL, 1000 WATT
*	10610009	1	LUMINAIRE, HPS, 400 WATT, 240V
*	10609004	1	LUMINAIRE, HPS, 250 WATT, 240V
			* REFER TO DWG. SLL-30-2

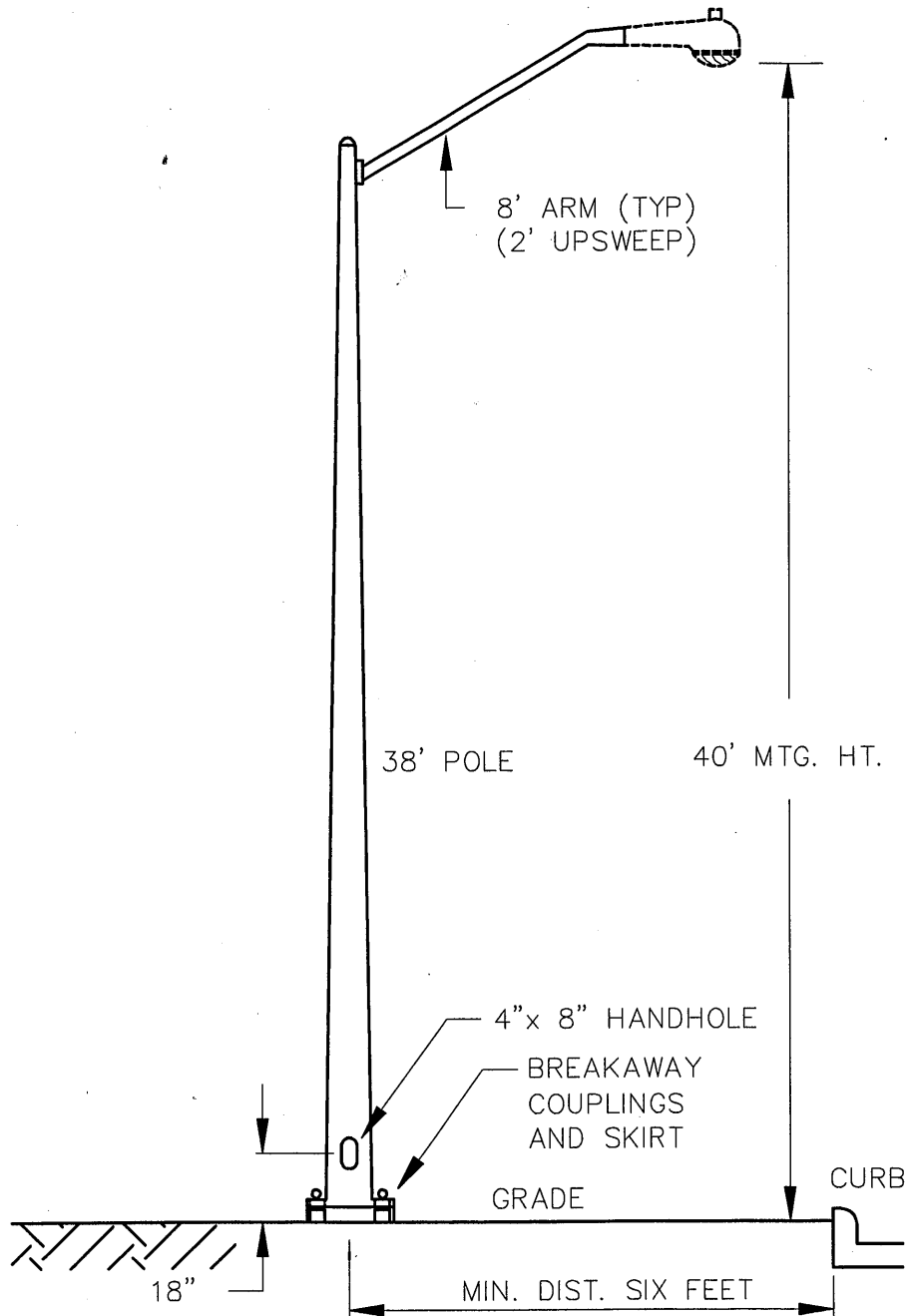
**LAFAYETTE
UTILITIES SYSTEM**
ENGINEERING DIVISION

TYPICAL 30FT AL STANDARD
W/2-8' ARMS

DWG. NO.
SLA30-2-8

DATE: 11/13/02

APPROVED:



ITEM	STOCK NO	QUANTITY	DESCRIPTION
1	10610008	1	STANDARD, ALUMINUM, 40' w/8' ARM
*	10607005	1	LAMP, H. P. SODIUM, 400 WATT
*	10607003	1	LAMP, H. P. SODIUM, 250 WATT
*	10605010	1	PHOTOCELL, 1000 WATT
*	10610009	1	LUMINAIRE, HPS, 400W, 240V
*	10609004	1	LUMINAIRE, HPS, 250W, 240V
			* REFER TO DWG. SLL-40-1

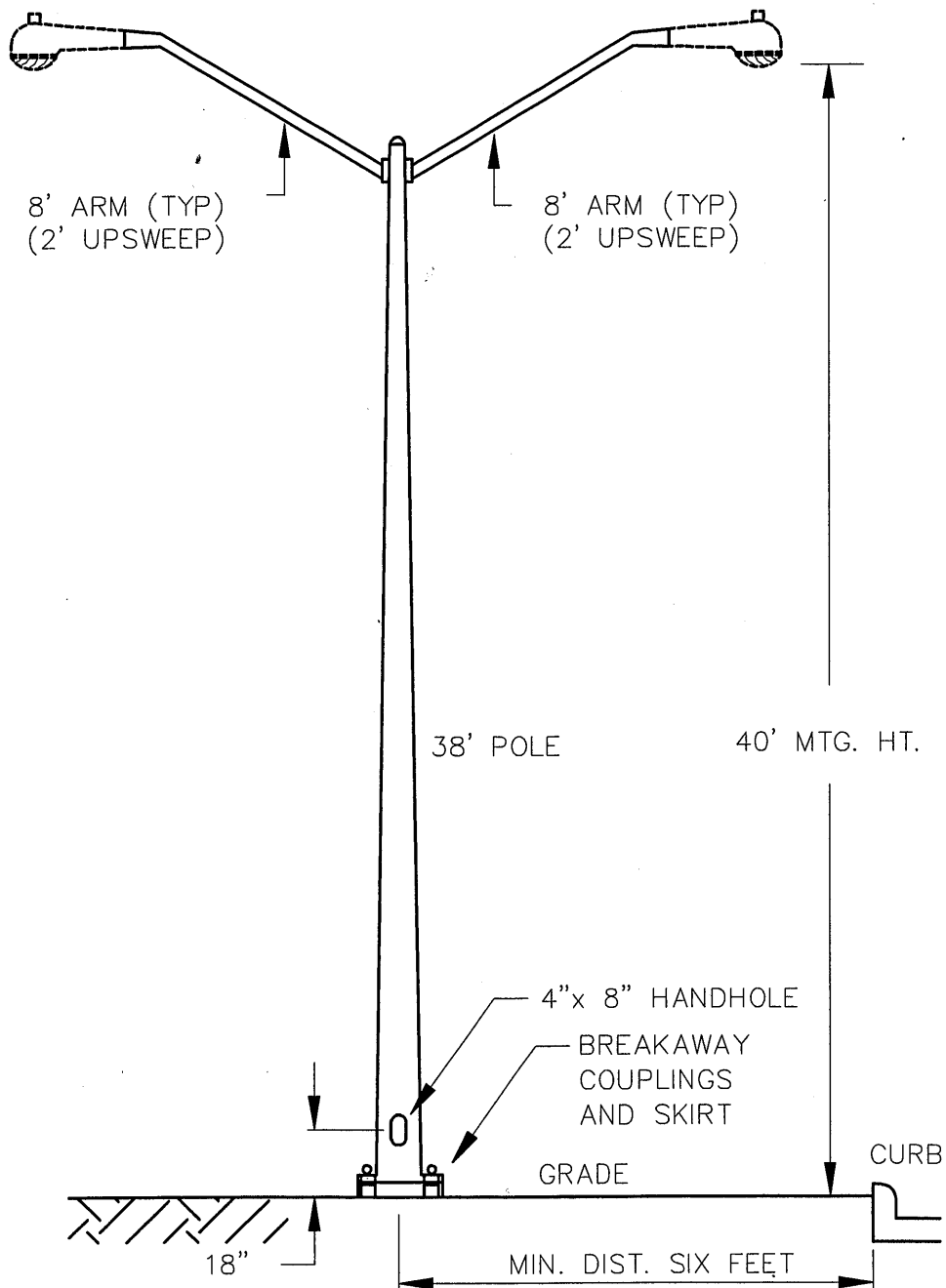
**LAFAYETTE
UTILITIES SYSTEM
ENGINEERING DIVISION**

TYPICAL 40FT AL STANDARD
W/8' ARM

DWG. NO.
SLA40-1-8

DATE: 11/13/02

APPROVED:



ITEM	STOCK NO	QUANTITY	DESCRIPTION
1	10610023	1	STANDARD, ALUMINUM, 40' W/2-8'ARMS
*	10607005	1	LAMP, H. P. SODIUM, 400 WATT
*	10607003	1	LAMP, H. P. SODIUM, 250WATT
*	10605010	1	PHOTOCELL, 1000 WATT
*	10610009	1	LUMINAIRE, HPS, 400 WATT, 240V
*	10609004	1	LUMINAIRE, HPS, 250 WATT, 240V
			* REFER TO DWG. SLL-40-2

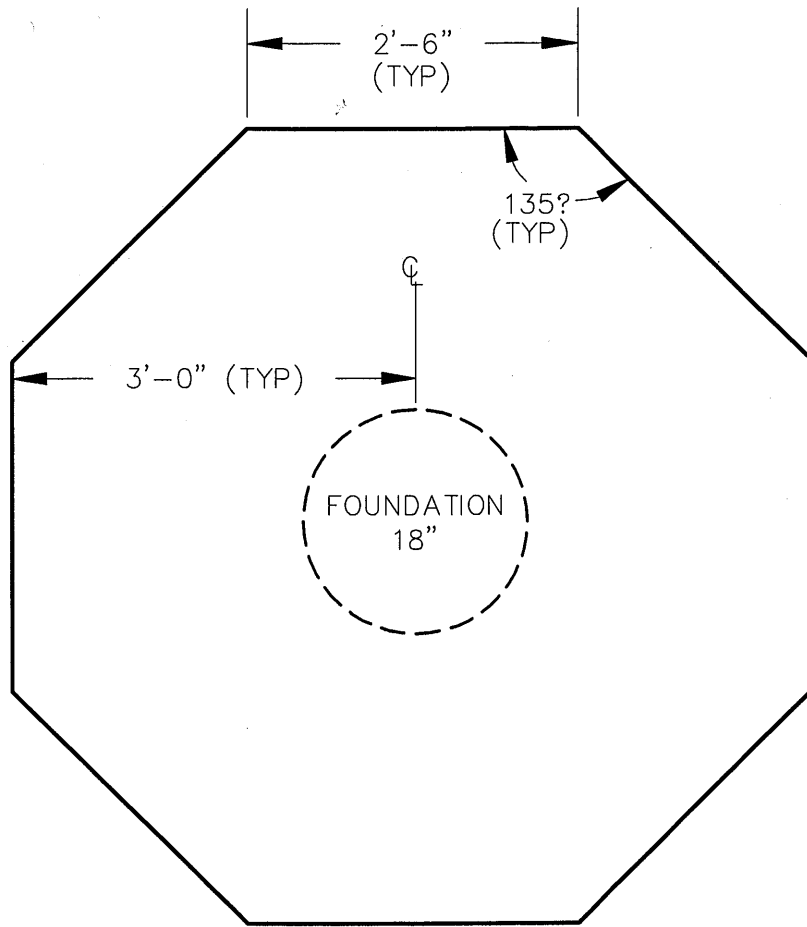
**LAFAYETTE
UTILITIES SYSTEM
ENGINEERING DIVISION**

TYPICAL 40FT AL STANDARD
W/2-8'ARMS

DWG. NO.
SLA40-2-8

DATE: 11/13/02

APPROVED:

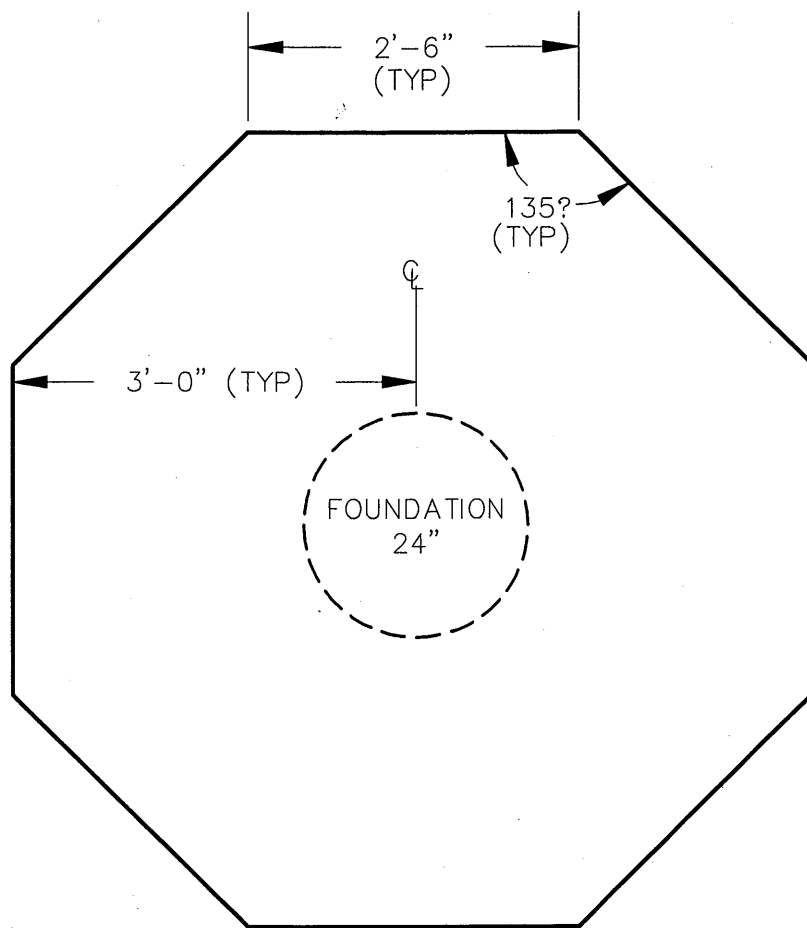


FULL APRON

FOUNDATION APRON DETAILS

4" THICK CONCRETE APRON AT EACH FOUNDATION LOCATION,
POURED IN CONJUNCTION WITH SIDEWALK CONSTRUCTION AND
PAYMENT SHALL BE INCLUDED IN PRICE OF FOUNDATION.

LAFAYETTE UTILITIES SYSTEM ENGINEERING DIVISION	<u>FOUNDATION APRON FOR 30' AL STANDARD</u>	DWG. NO. SLFD-30A
DATE: 11/13/02	APPROVED:	



FULL APRON

FOUNDATION APRON DETAILS

4" THICK CONCRETE APRON AT EACH FOUNDATION LOCATION,
POURED IN CONJUNCTION WITH SIDEWALK CONSTRUCTION AND
PAYMENT SHALL BE INCLUDED IN PRICE OF FOUNDATION.

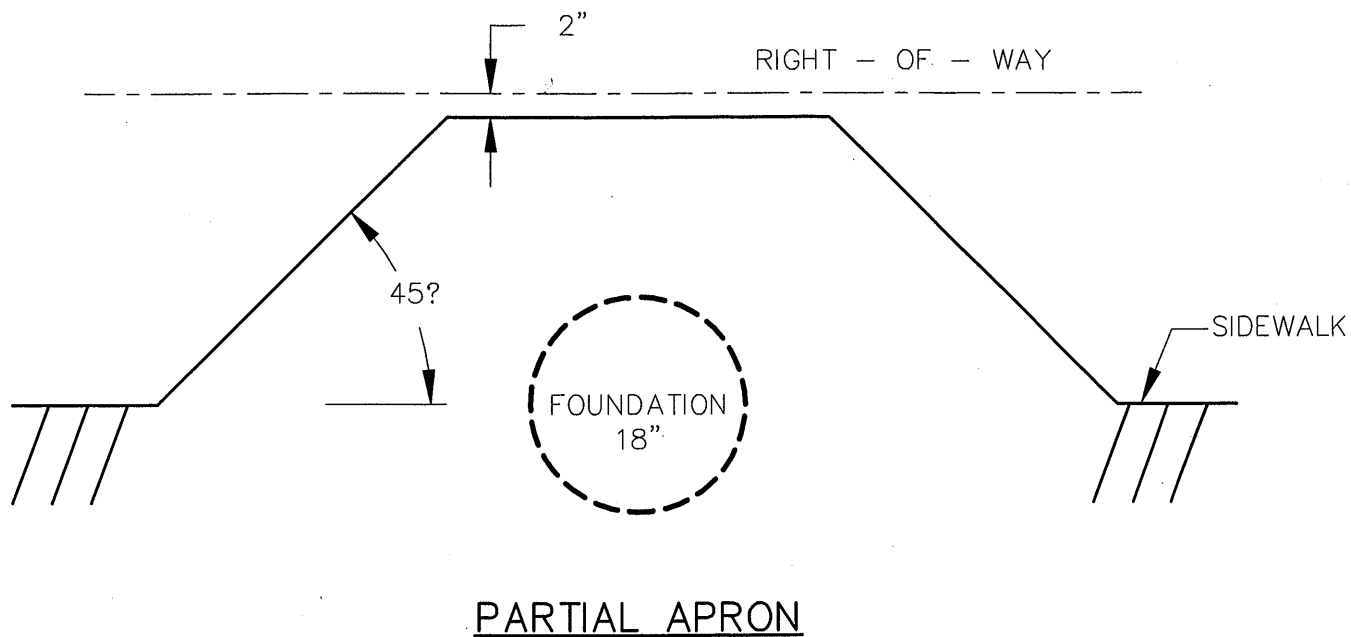
**LAFAYETTE
UTILITIES SYSTEM
ENGINEERING DIVISION**

FOUNDATION APRON
FOR 40' AL STANDARD

**DWG. NO.
SLFD-40A**

DATE: 11/13/02

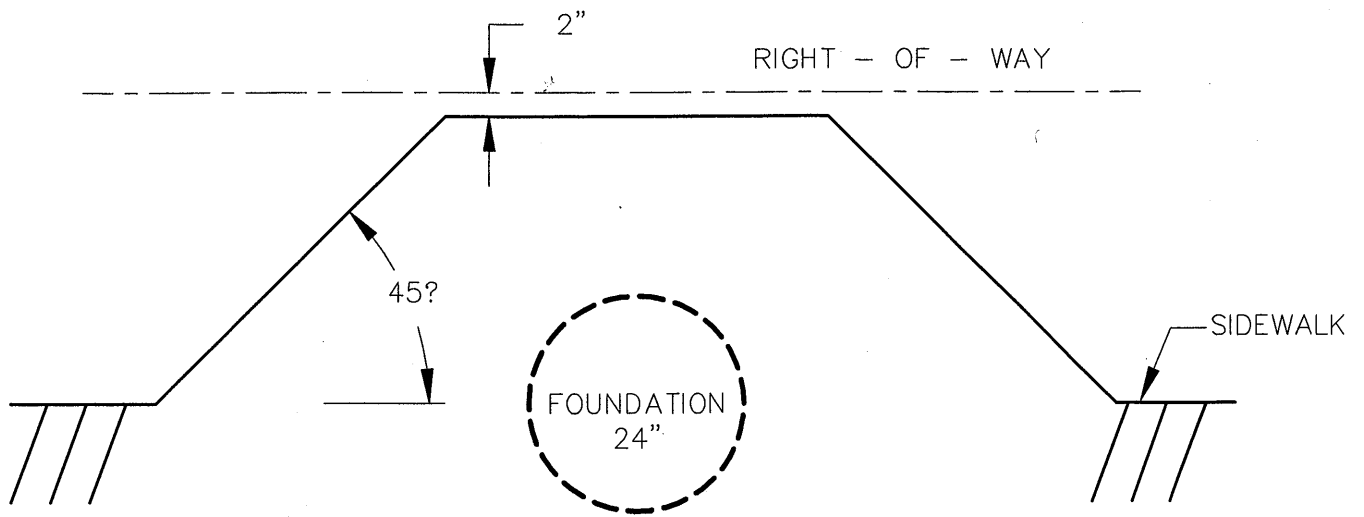
APPROVED:



FOUNDATION APRON DETAILS

4" THICK CONCRETE APRON AT EACH FOUNDATION LOCATION,
POURED IN CONJUNCTION WITH SIDEWALK CONSTRUCTION AND
PAYMENT SHALL BE INCLUDED IN PRICE OF FOUNDATION.

LAFAYETTE UTILITIES SYSTEM ENGINEERING DIVISION	<u>FOUNDATION PARTIAL APRON</u> <u>FOR 30' AL STANDARD</u>	DWG. NO. SLFD-30P
DATE: 11/13/02	APPROVED:	

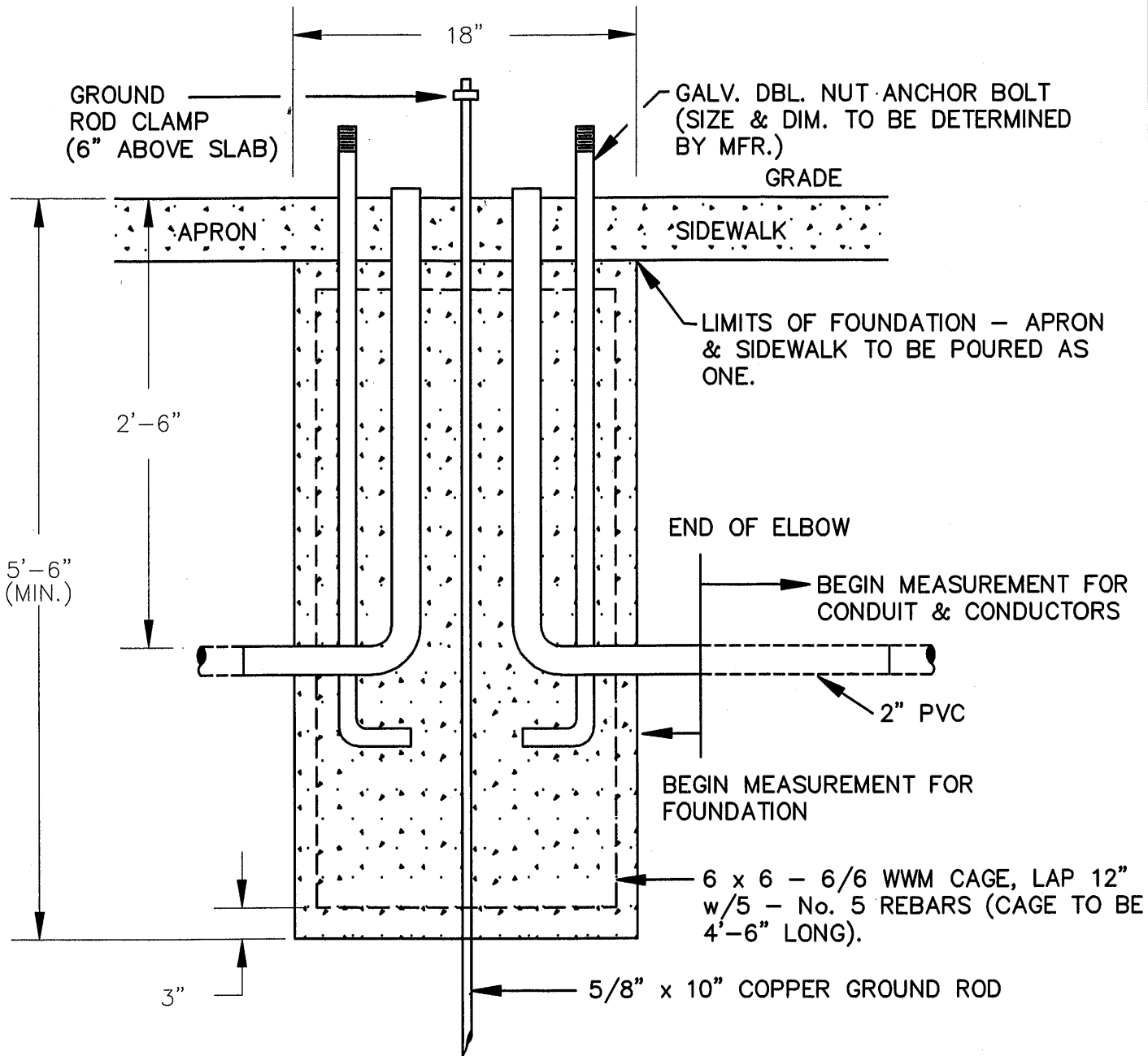


PARTIAL APRON

FOUNDATION APRON DETAILS

4" THICK CONCRETE APRON AT EACH FOUNDATION LOCATION,
POURED IN CONJUNCTION WITH SIDEWALK CONSTRUCTION AND
PAYMENT SHALL BE INCLUDED IN PRICE OF FOUNDATION.

<p>LAFAYETTE UTILITIES SYSTEM ENGINEERING DIVISION</p>	<p><u>FOUNDATION PARTIAL APRON FOR 40' AL STANDARD</u></p>	<p>DWG. NO. SLFD-40P</p>
<p>DATE: 11/13/02</p>	<p>APPROVED:</p>	



ITEM FOR FOUNDATION INCLUDES CONDUCTORS IN FOUNDATION AND 4" 6-FOOT OCTAGONAL CONCRETE APRON.

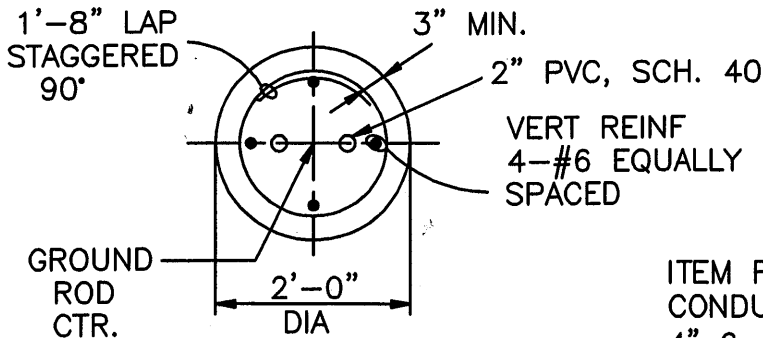
FOR USE WITH 30' POLE ONLY

**LAFAYETTE
UTILITIES SYSTEM
ENGINEERING DIVISION**

DATE: FEB. 20, 2002 APPROVED:

30' LIGHT STANDARD
FOUNDATION

DWG. NO.
SLA-30

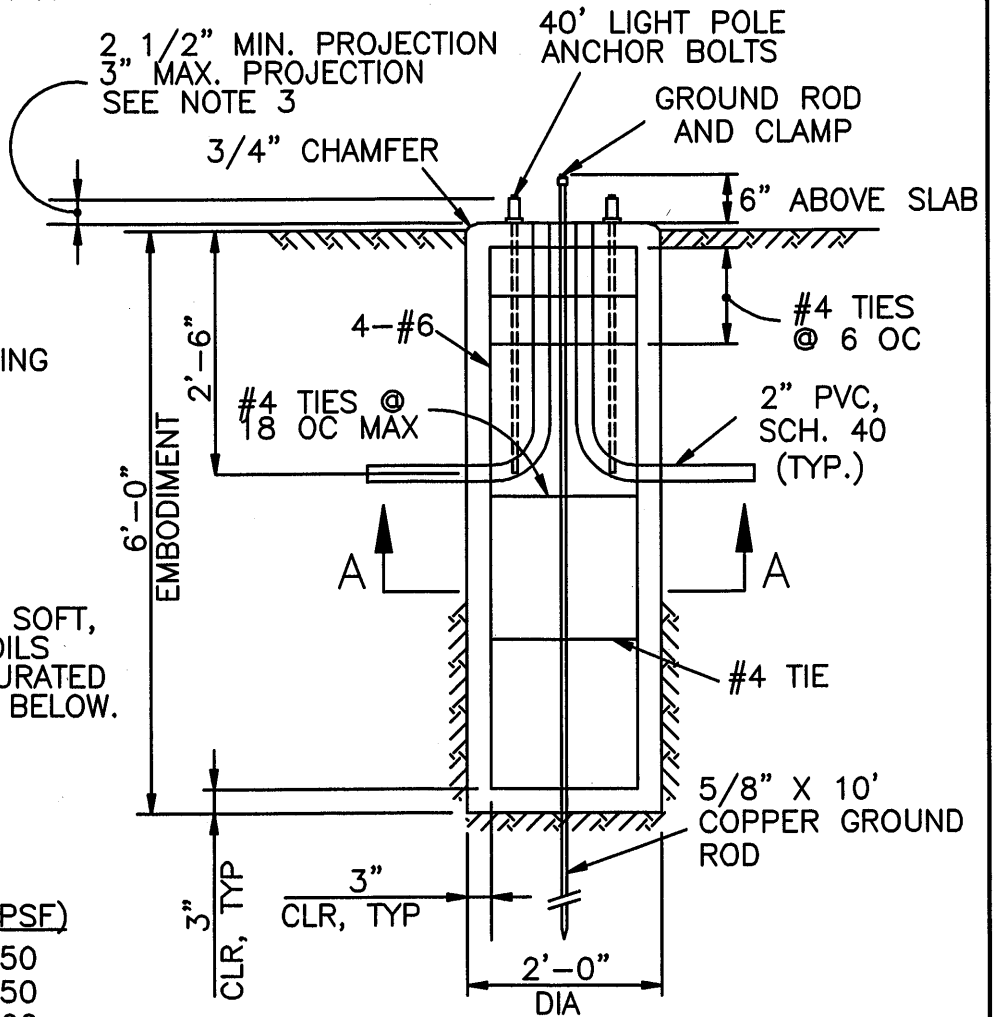


SECTION
A-A

ITEM FOR FOUNDATION INCLUDES CONDUCTORS IN FOUNDATION AND 4" 6-FOOT OCTAGONAL CONCRETE APRON.

NOTES:

1. CONCRETE: 3000 PSI
2. REINFORCING STEEL: GRADE 60 BAR.
3. ANCHOR BOLTS: SUPPLIED W/POLE. VERIFY ANCHOR BOLT PROJECTION W/POLE SUPPLIED.
4. FOR USE WITH THE FOLLOWING 40' STANDARD ALUMINUM LIGHT POLES.
 STOCK 10610008, WITH SINGLE 8' ARM.
 STOCK 10610023, WITH DOUBLE 8' ARMS.
5. FOUNDATION DESIGNED FOR SOFT, MEDIUM AND STIFF CLAY SOILS UNDER BOTH DRY AND SATURATED CONDITIONS, USING VALUES BELOW.



ELEVATION

DENSITY(PCF)

SOIL	DRY	SAT	CU(PSF)
SOFT CLAY	100	50	250
MED CLAY	120	60	750
STIFF CLAY	140	80	2000

TOP 1' OF SOIL NEGLECTED IN ANALYSIS.

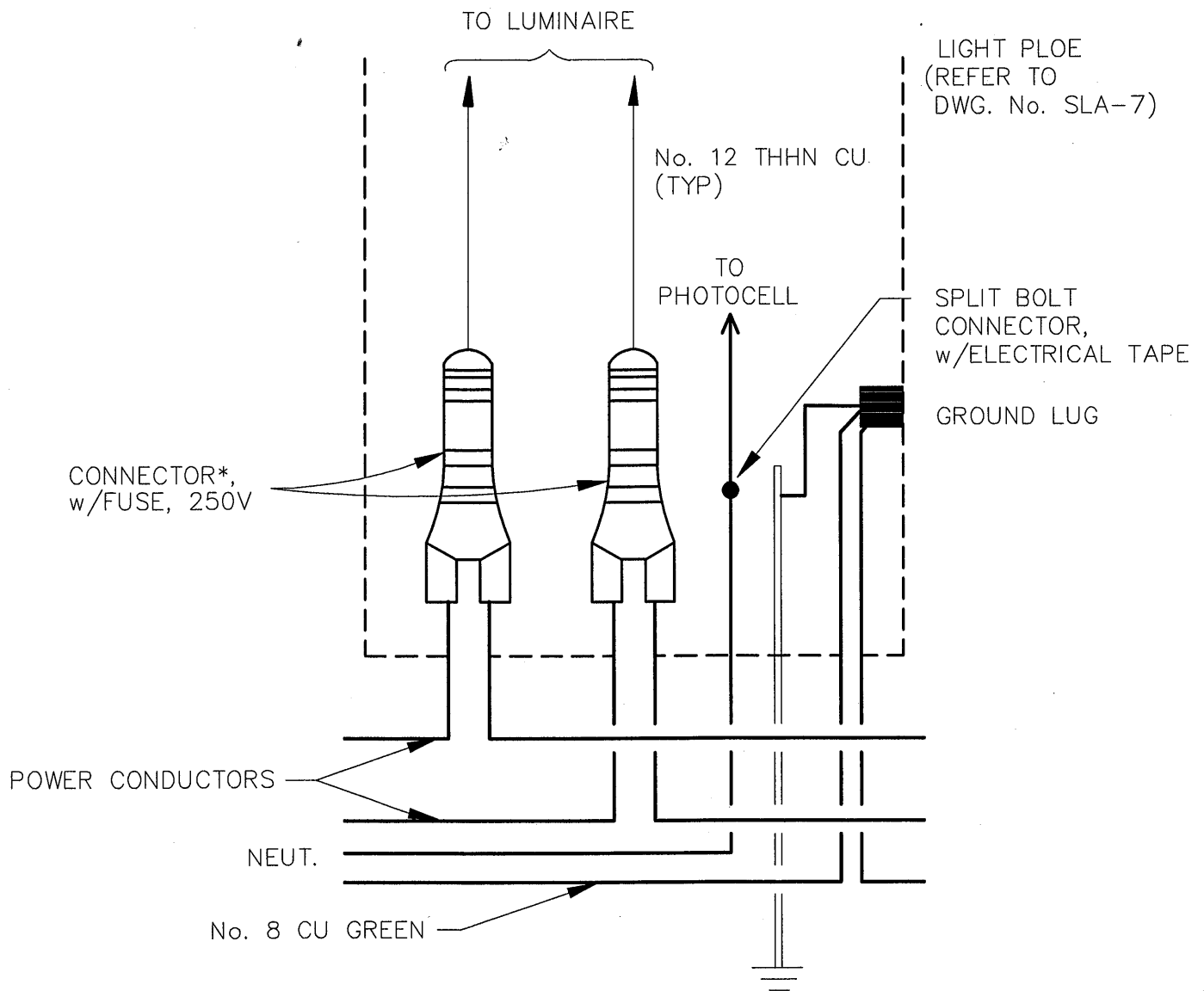
**LAFAYETTE
UTILITIES SYSTEM
ENGINEERING DIVISION**

40' LIGHT STANDARD
FOUNDATION

DWG. NO.
SLA-40

DATE:

APPROVED:



ITEM	STOCK NO	QUANTITY	DESCRIPTION
1	10604001	2	BUSSMAN TRON HEB-ALU-RYC FUSEHOLDER (OR EQUAL)
2	10754210	2	FUSE, SUPPLEMENTARY, FAST ACTING, 13/32" x 1-1/2", 10 AMP
3	10754220	2	FUSE, SUPPLEMENTARY, FAST ACTING, 13/32" x 1-1/2", 20 AMP
4	---	1	COPPER SPLIT-BOLT CONNECTOR
5	---	LOT	SCOTCH #33 TAPE
			* BREAKAWAY PER LATEST ASTB

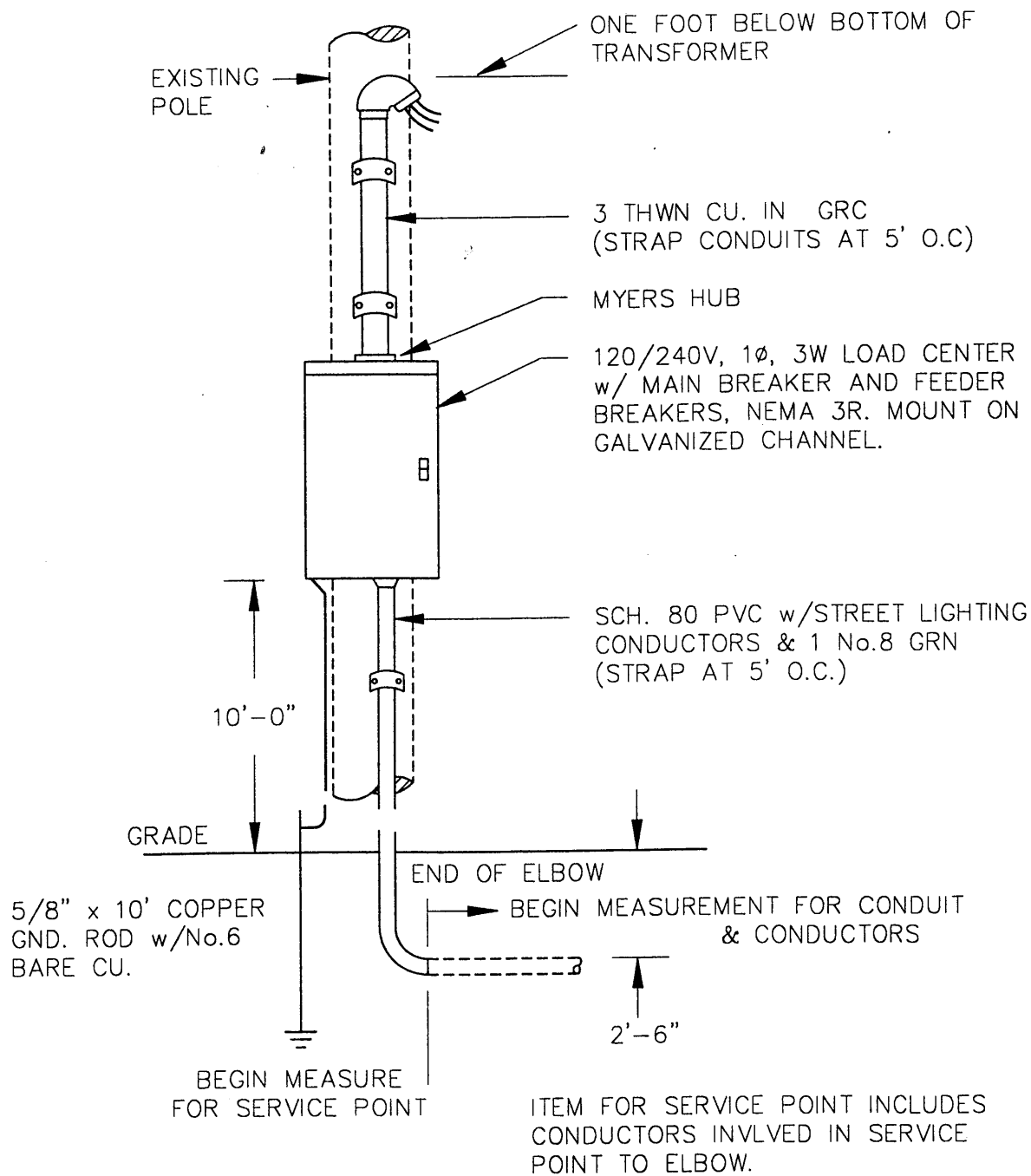
**LAFAYETTE
UTILITIES SYSTEM**
ENGINEERING DIVISION

POLE WIRING DETAIL

DWG. NO.
SLA-6

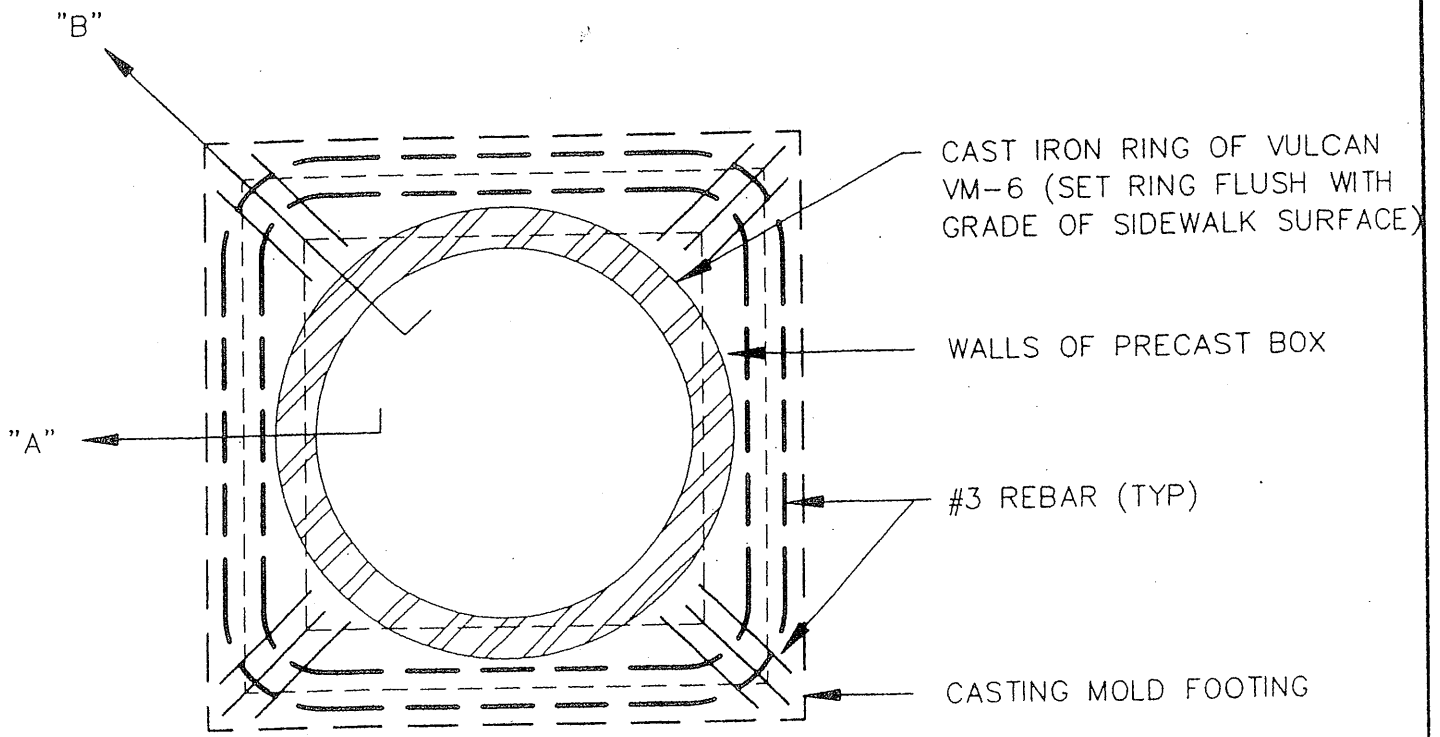
DATE: 11/18/02

APPROVED:



ITEM	STOCK NO	QUANTITY	DESCRIPTION
1	---	1	GRC CLAMP-ON WEATHER HEAD
2	---	LOT	GRC CONDUIT
3	---	LOT	GRC TWO-HOLE CLAMP
4	---	1	LIGHTING CONTROLLER
5	---	LOT	#6 BARE COPPER
6	---	1	5/8" x 10' COPPER BROUND ROD

LAFAYETTE UTILITIES SYSTEM ENGINEERING DIVISION	STREET LIGHTING SERVICE POINT	DWG. NO. SLA-7
	DATE: AUGUST 7, 1990	APPROVED:



TOP VIEW - HANDHOLE

LAFAYETTE
 UTILITIES SYSTEM
 ENGINEERING DIVISION

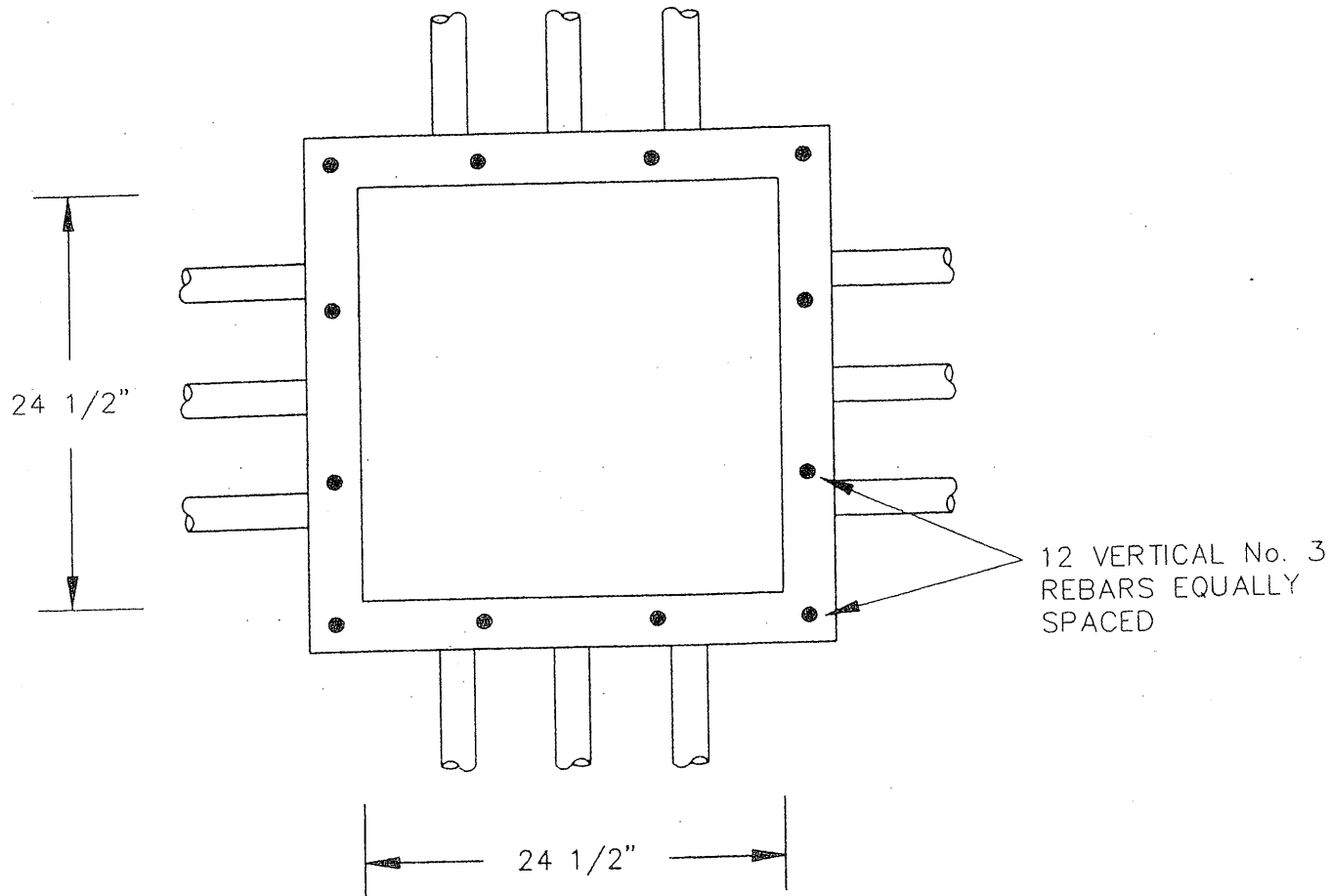
HANDHOLE

DWG. NO.
 SLA-8(A)

DATE: JULY 29, 1990

APPROVED:

PROVIDE THREE CONDUITS EVENLY SPACED ALL SIDES
UNUSED CONDUITS TO BE 3" SIZE, STUBBED 24" OUT
& CAPPED. USED CONDUITS TO BE WELL GROUTED.



SECTION THROUGH PRECAST BOX

LAFAYETTE
UTILITIES SYSTEM

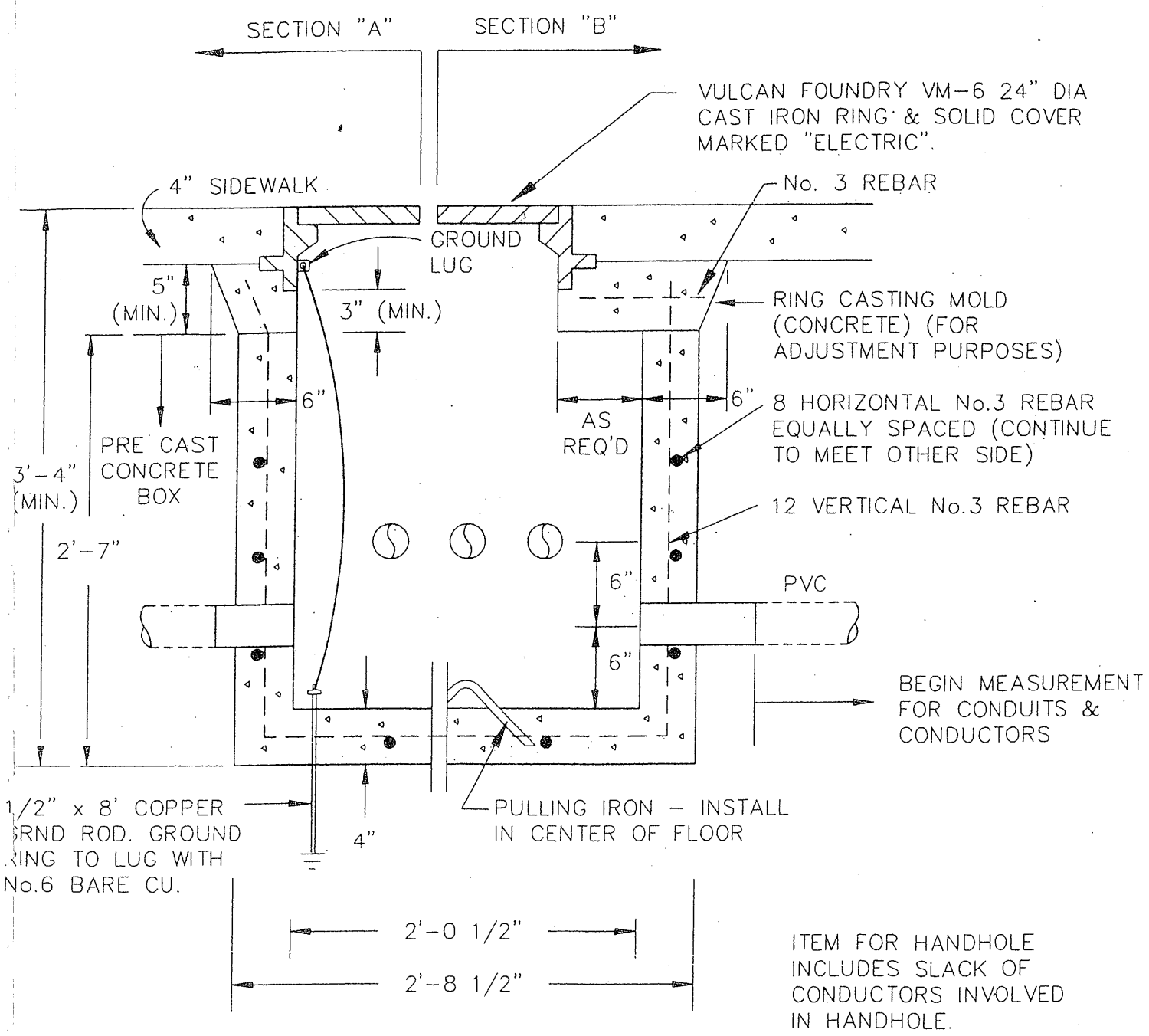
ENGINEERING DIVISION

DATE: JULY 29, 1990

APPROVED:

HANDHOLE

DWG. NO.
SLA-8(B)



SECTION

ITEM FOR HANDHOLE
INCLUDES SLACK OF
CONDUCTORS INVOLVED
IN HANDHOLE.

LAFAYETTE
UTILITIES SYSTEM
ENGINEERING DIVISION

HANDHOLE

DWG. NO.
SLA-8(C)

JULY 29, 1990

APPROVED:

1. ALL CONDUIT TO HAVE A MINIMUM COVER OF 30".
2. CONTRACTOR IS REFERRED TO THE ROADWAY DRAWINGS FOR ALL UNDERGROUND AND OVERHEAD OBSTRUCTIONS NOT SHOWN HERE. CONTRACTOR SHALL BE RESPONSIBLE TO BRING ANY CONFLICTS TO THE ATTENTION OF THE ENGINEER AND SHALL NOT PROCEED WITH THAT PARTICULAR WORK UNTIL DIRECTED BY THE ENGINEER.
3. ALL FOUNDATIONS AND CONDUITS TO BE PLACED WITHIN THE RIGHT-OF-WAY.
4. ALL CONDUCTORS TO BE STRANDED COPPER, 600 VOLT INSULATION. OPERATING VOLTAGE IS 240 VOLT SINGLE-PHASE.
5. ALL CONDUIT TO BE SCHEDULE 40 PVC EXCEPT ACROSS ALL ROADWAYS, IN WHICH CASE CONDUIT TO BE SCHEDULE 80 PVC.
6. ALL CIRCUITS TO HAVE A #8 AWG GREEN COLORED CONDUCTOR (COPPER) FOR A SYSTEM GROUND.
7. ALL HANDHOLES SHALL BE LOCATED APPROXIMATELY IN THE MIDDLE OF THE SIDEWALK, BUT CAN BE LOCATED OTHERWISE IN THE FIELD BY THE ENGINEER. HANDHOLES TO BE FLUSH WITH GRADE.
8. IN REQUIRED HANDHOLES, USE SPLIT-BOLT CONNECTORS WITH SCOTCH CAST #85-12 UNDERGROUND SPLICE KIT.
9. STREET LIGHTING CONDUCTORS ARE MEASURED THE SAME LENGTH AS THE CONDUIT IT IS PLACED IN BELOW GRADE. CONDUCTORS INVOLVED IN STRUCTURES SHALL BE INCLUDED IN THE PRICE OF THE STRUCTURE.

LAFAYETTE
 UTILITIES SYSTEM
 ENGINEERING DIVISION

GENERAL NOTES

DWG. NO.
 SLA-9

DATE: JULY 29, 1990

APPROVED: